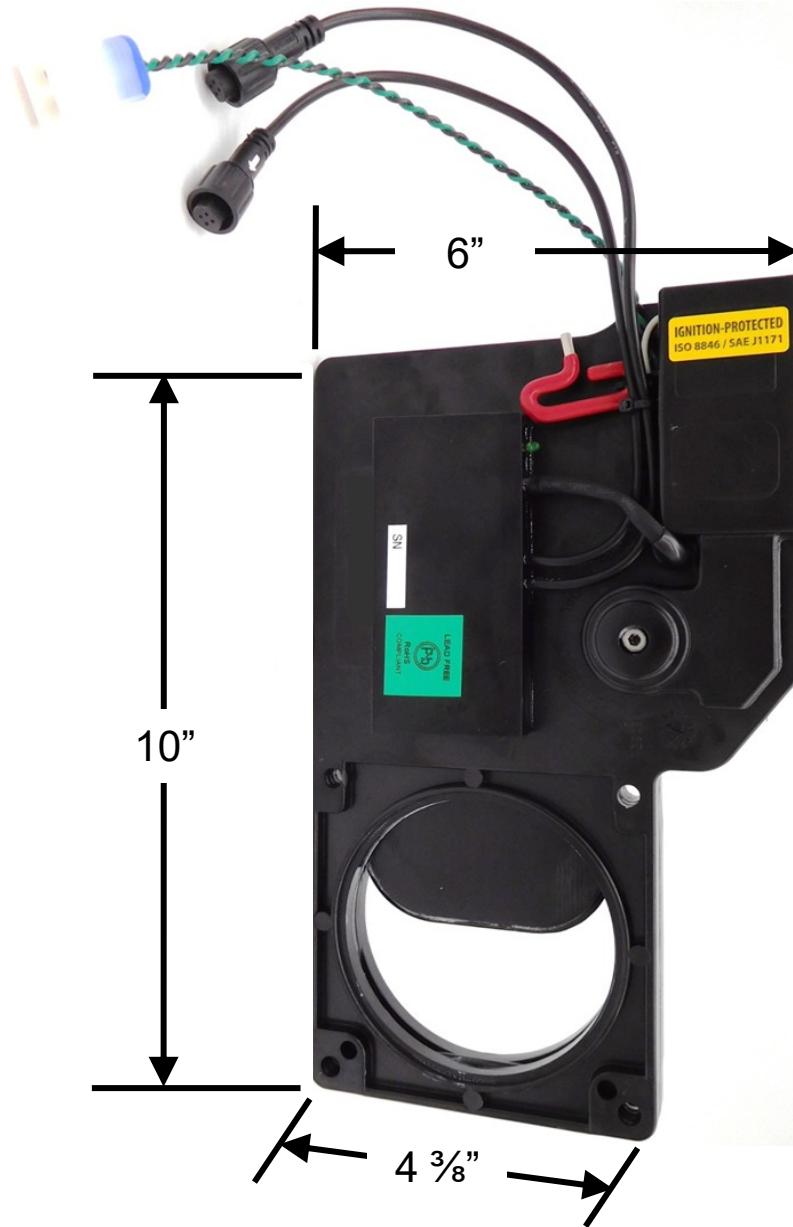


Doc DM107 – S3VT Pro Series Valve Product and Mounting Space Dimensions

- Principal Dimensions Pg 2
- Mounting Space – 12 O'clock Orientation Pg 3
- Mounting Space – 10 O'clock or 2 O'clock Orientation Pg 4
- Companion Doc Information Pg 5



S3VT Pro Series Valve – Principal Dimensions



Questions?

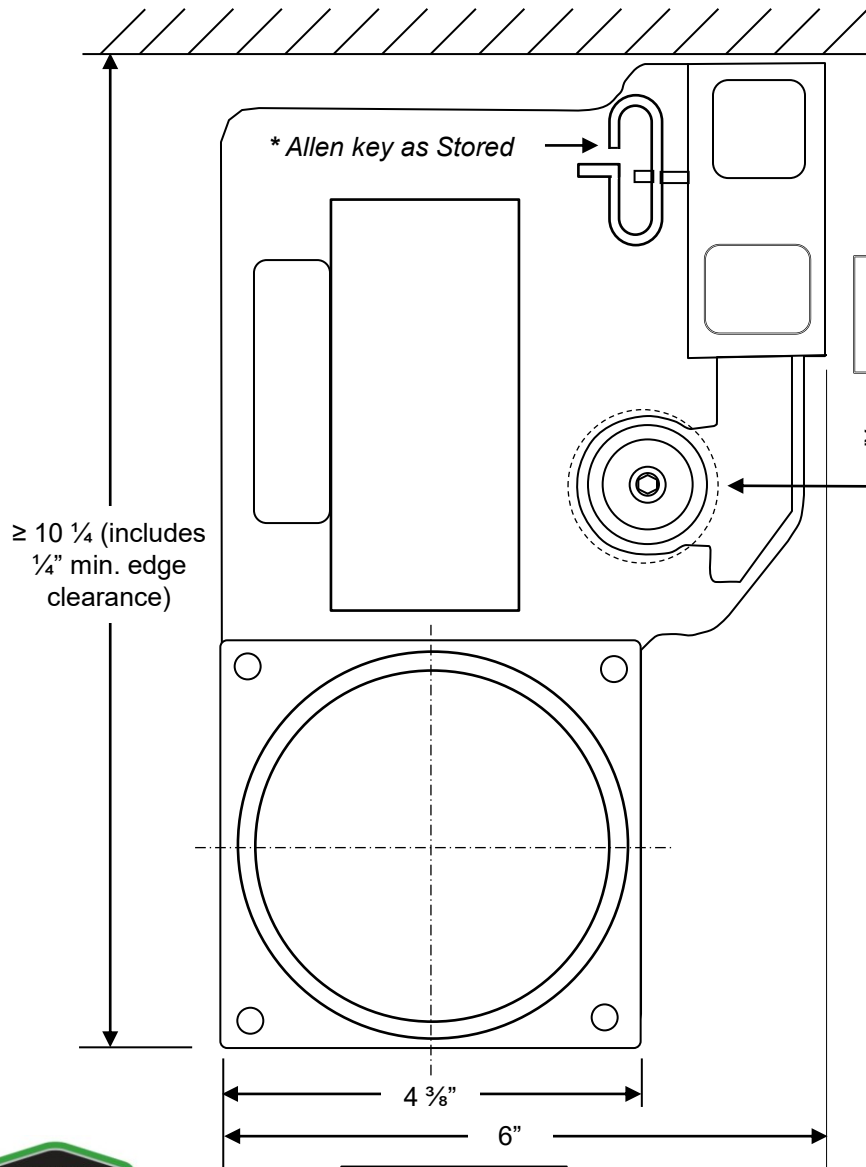
Call 1 877 787 8833



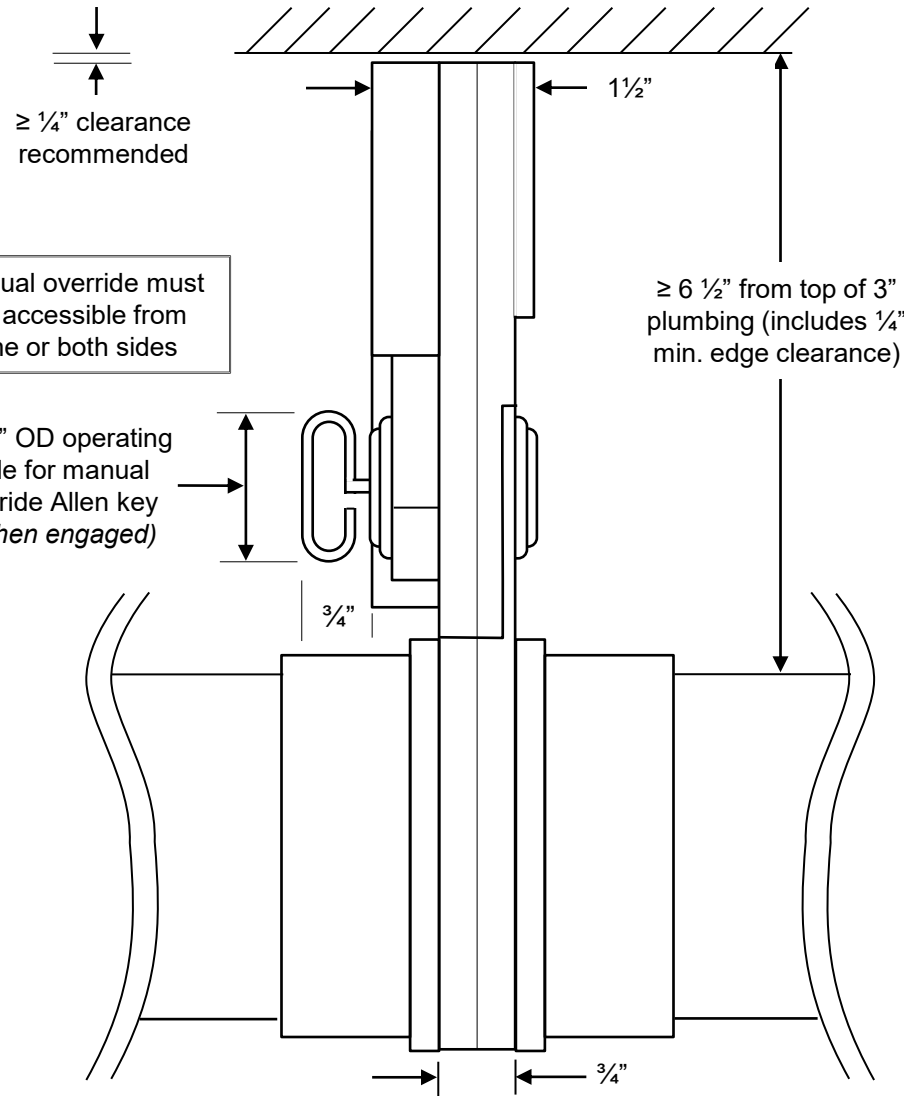
Mounting Space for Vertical – 12 O'clock – Optimum Install Orientation

Not to Scale

All Dimensions in Inches



Manual override must be accessible from one or both sides



$\geq 10 \frac{1}{4}$ (includes $\frac{1}{4}$ " min. edge clearance)

$\geq 1 \frac{1}{2}$ " OD operating circle for manual override Allen key (* when engaged)

$\geq 6 \frac{1}{2}$ " from top of 3" plumbing (includes $\frac{1}{4}$ " min. edge clearance)

Face View

Side View

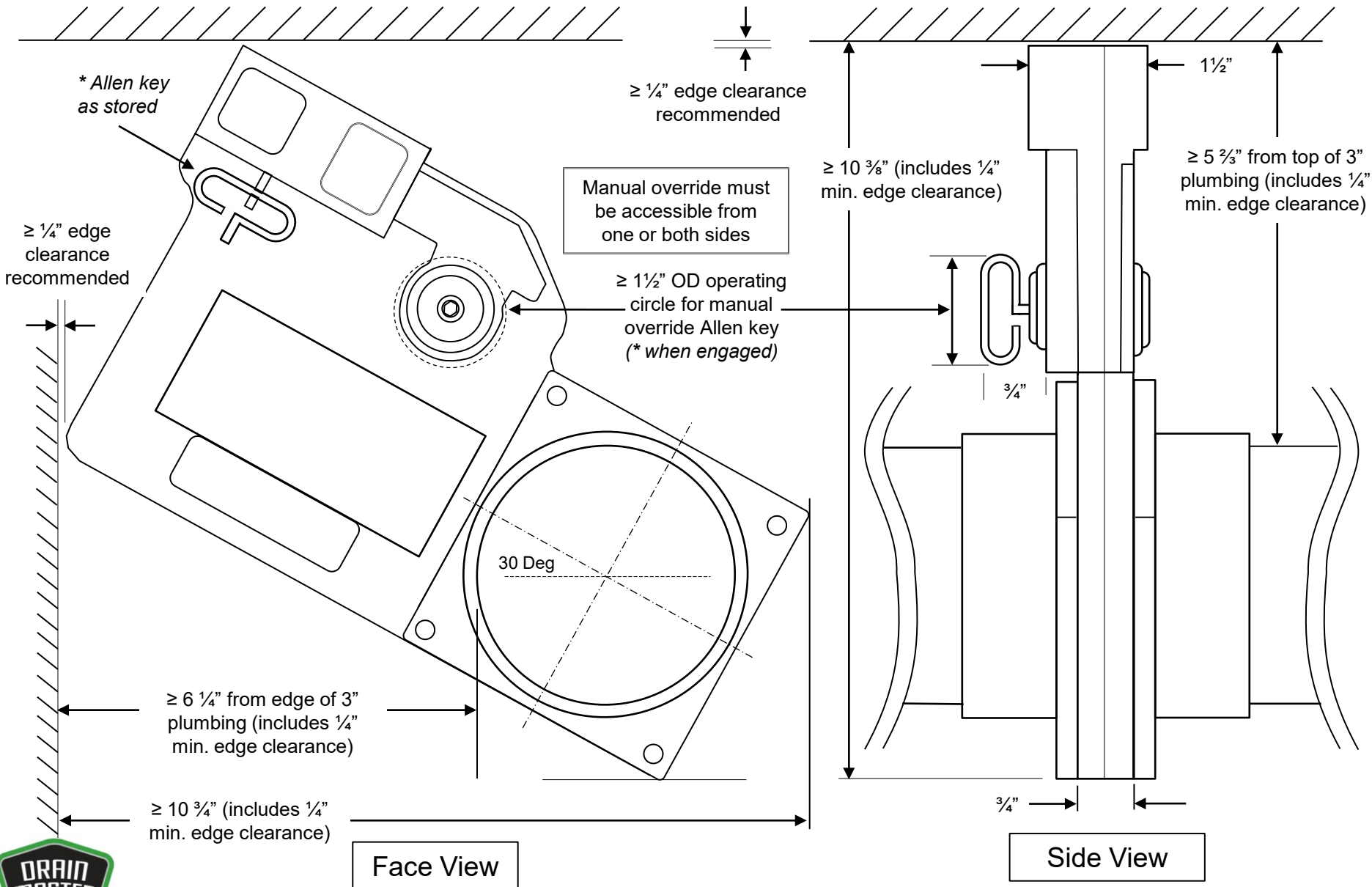
Questions?
Call 1 877 787 8833



Mounting Space for 10 O'clock or 2 O'clock – Max. Permissible Orientation

Not to Scale

All Dimensions in Inches



Questions?
Call 1 877 787 8833

Download or view S3VT companion documents in PDF format from 'Product Manuals' at our website

- DM101 S3VT Install Instructions
- DM102 S3VT Operating Switch and Cable Installation
- DM103 S3VT Valve Configuration Guide
- DM104 S3VT 12 V DC Wiring Diagram
- DM106 S3VT System Master Switch Installation

Help improve our documents

Please give your feedback

Toll free 1 877 787 8833

email: admin@drainmaster.com

