

S3VT System Master Switch Installation

An Optional accessory to enable or disable the system; prevents inadvertent activation when the RV is in motion or during hose hookup or disconnect. Ensures valves 'home' to safe, closed position, at power up.

Doc DM106

Covers

- 5890-DM30-20Amp SW Direct Panel Mount Pgs 2, 3 & 4
- 5890-DM30-20Amp SW Dress Plate Mount Pg 5
- S3VT Companion Document information Pg 6



Questions?
Call 1 877 787 8833

S3VT System Master Switch Installation

1. Direct Panel Mounting – Master switch 5890-DM30-20Amp SW

1.1 Fig. 1 – Panel Cutout

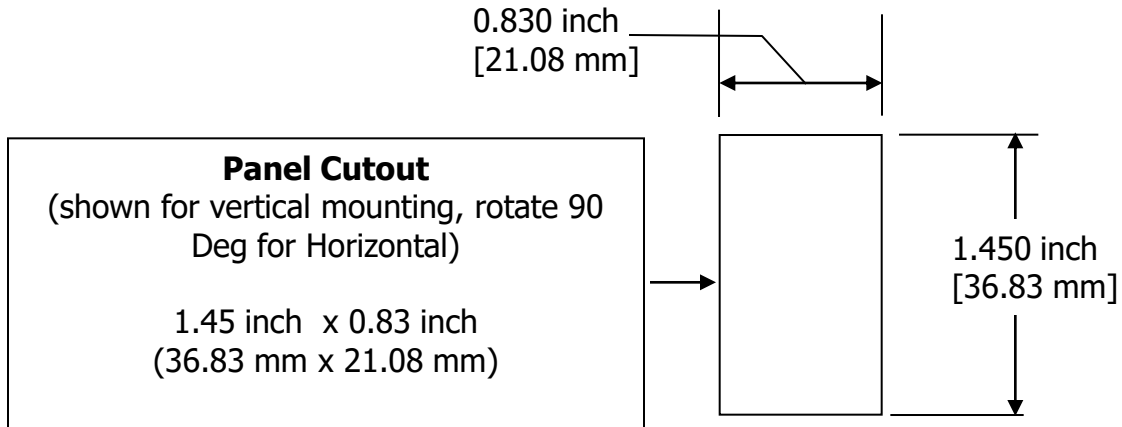


Fig 1.

1.2 Fig. 2 – Mounting panel thickness and rear clearance

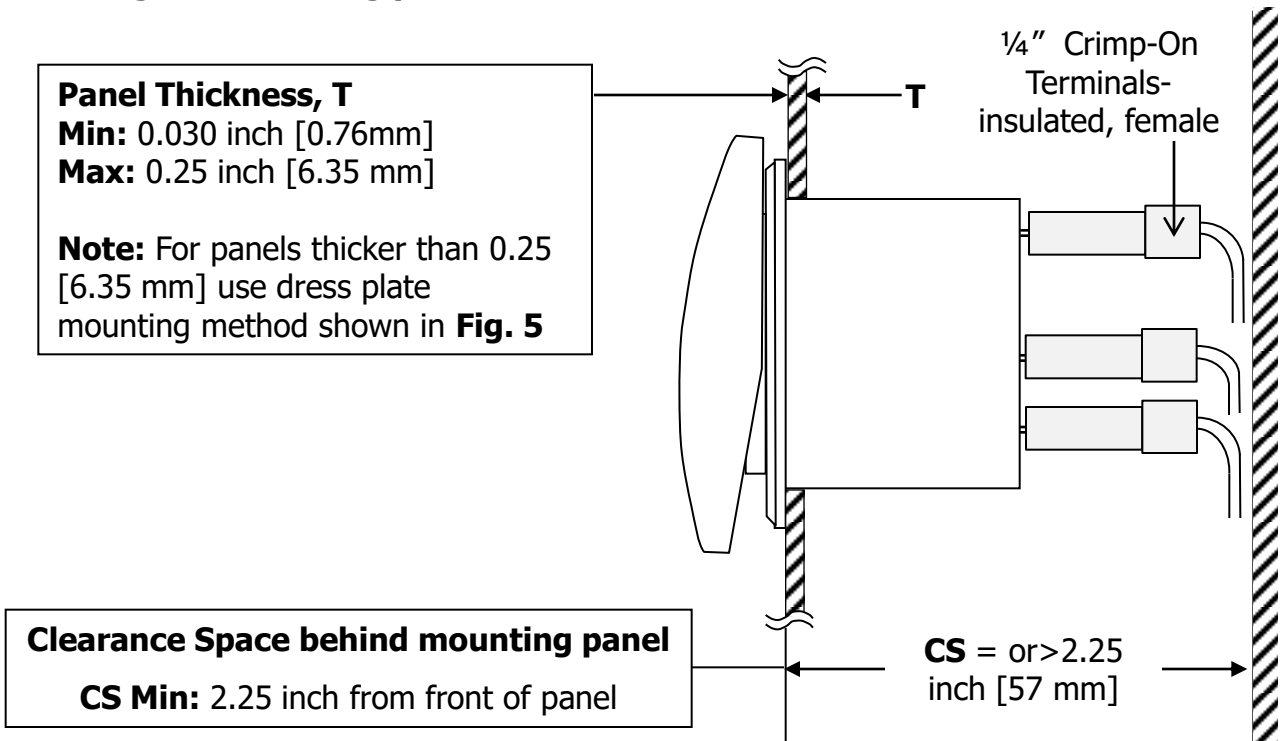


Fig 2.



Questions?
Call 1 877 787 8833

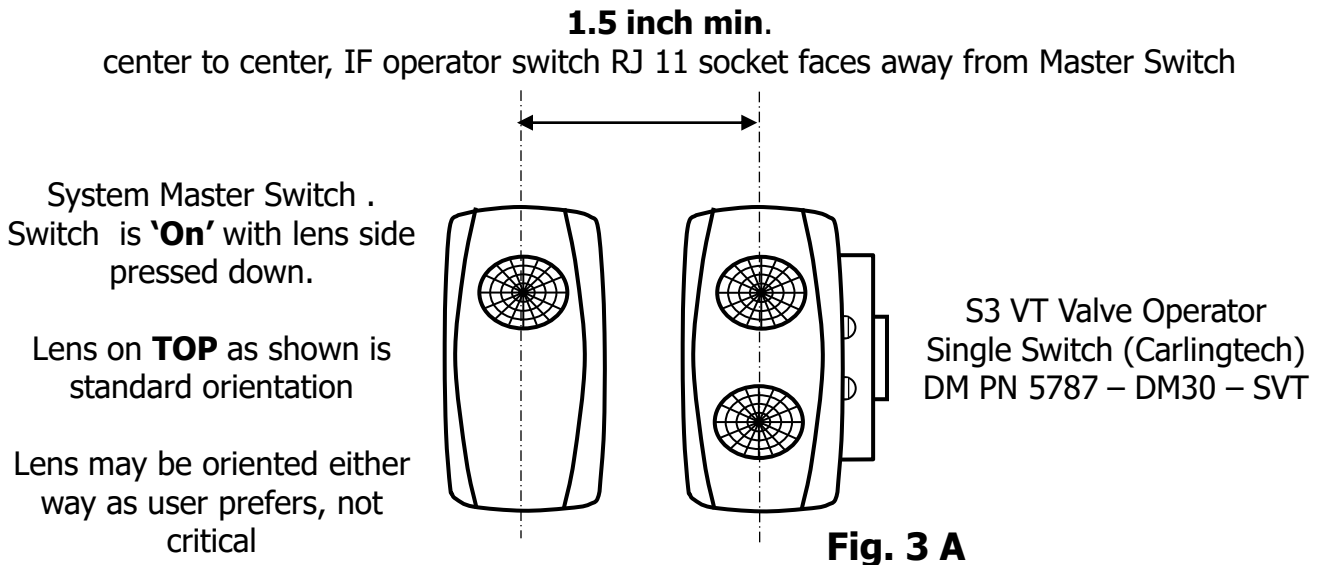
S3VT System Master Switch Installation

1.3 Master Switch to S3VT Operator Switch spacing using direct panel mounting, Vertical layout:

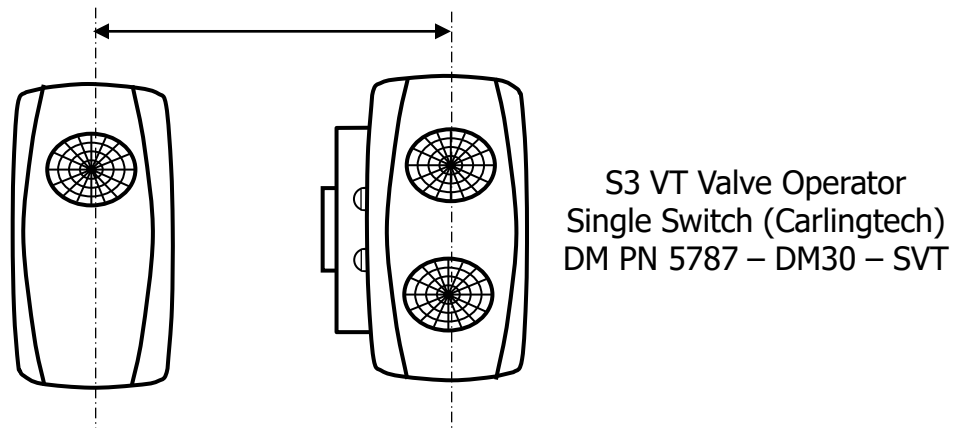
Fig. 3 A: Preferred practice - operator switch RJ 11 socket faces away from Master switch

Fig. 3 B: Use if for space reasons, operator switch RJ11 socket must face Master switch

Switches may be on either side of each other, left or right, doesn't matter.



2.5 inch min.
center to center, IF operator switch RJ 11 socket faces towards Master Switch



Important: Strain relieve System switch and Operator Switch cables close to switch. Excess cable must be bundled and secured and not weigh down on connector or terminals



Questions?
Call 1 877 787 8833

10-Nov-20

DM106-2

Pg 3/6

S3VT System Master Switch Installation

1.4 Master Switch to Operator Switch spacing using direct panel mounting, Horizontal layout:

Note: Fig. 3 A, B Vertical layout: Prevalent industry practice, preferred & recommended
Fig. 4 A or B: Use horizontal layout if space limitations prevent vertical mounting

Switches may be on either side of each other, left or right, doesn't matter.

2 ½ inch min.
center to center

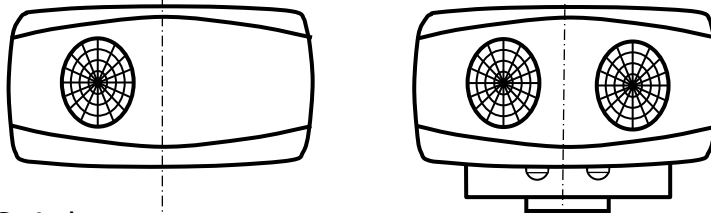


Fig. 4A

System Master Switch

Switch is 'On' with lens side pressed.

May be oriented as user prefers, not critical

Valve Operator
Single Switch
(Carlingtech)
DM PN 5787 – DM30
– SVT, RJ 11 socket
may face up or down,
not critical

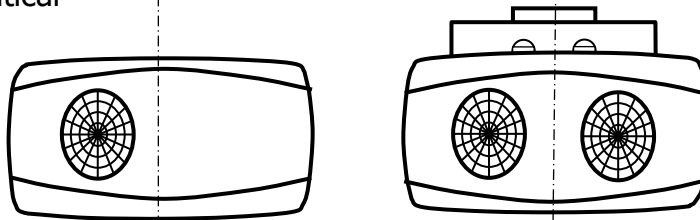


Fig. 4B

Important: Strain relieve all Switch and Interface cables close to switch.
Excess Cable must be bundled and secured and not weigh down on connector or terminals



Questions?
Call 1 877 787 8833

10-Nov-20

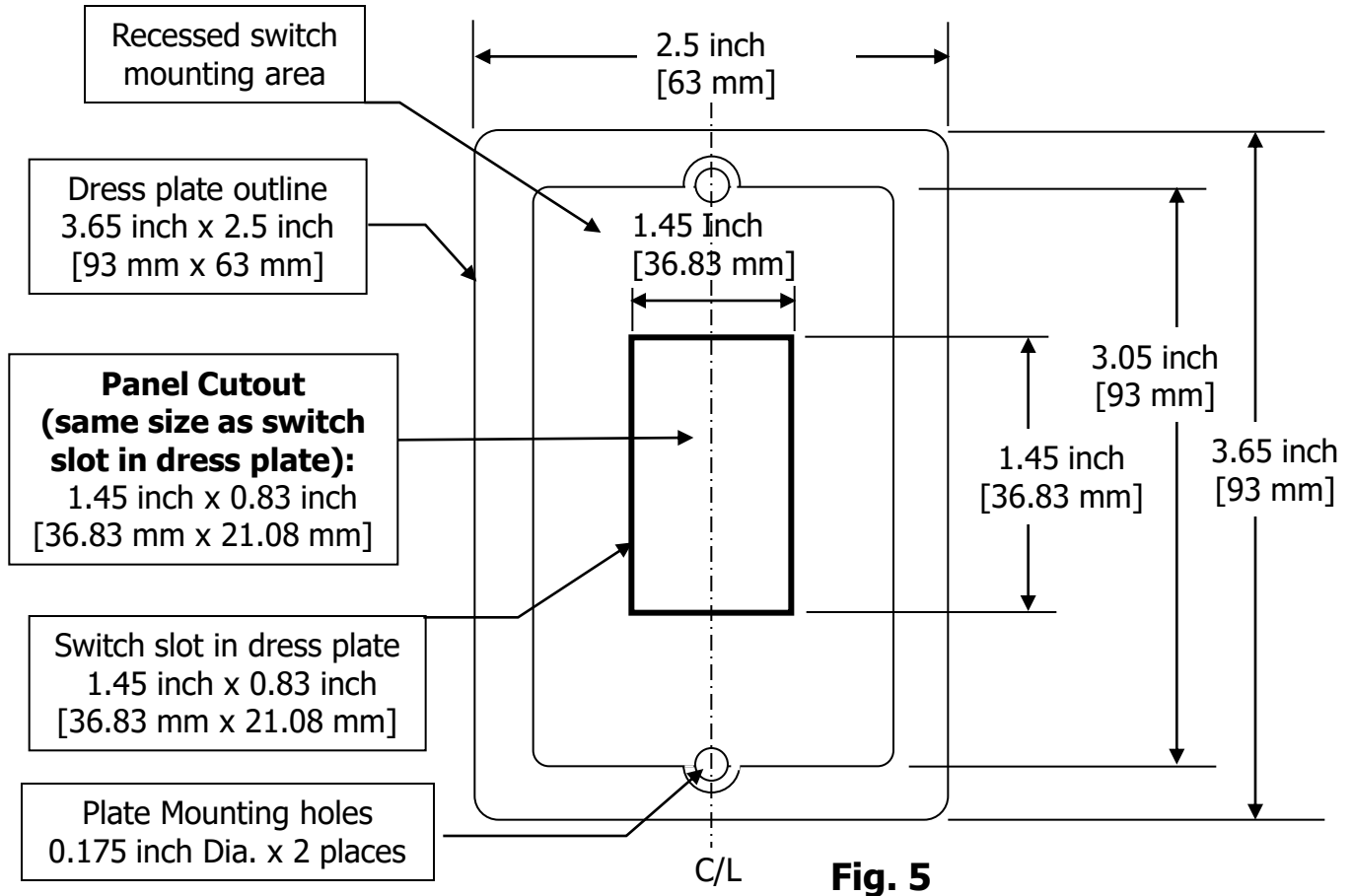
DM106-2

Pg 4/6

S3VT System Master Switch Installation

2. 5890-DM30-20Amp SW Mounting using Dress Plate (Optional)

2.1 Fig. 5 – Panel cutout and dress plate dimensions:



Panel Thickness:

Min: Not specified – Panel thickness must adequately support dress plate

Max: 1 inch [25 mm]

2.2 Multi switch interspacing using dress plate:

Vertical mounting is prevalent industry practice - requires center to center > **2.5 inch**
Horizontal Mounting (use if space limitations restrict vertical mounting) requires center to center > **3.65 inch**



Questions?
Call 1 877 787 8833

10-Nov-20

DM106-2

Pg 5/6

S3VT System Master Switch Installation

Download or view S3VT companion documents in PDF format from 'Product Manuals' at our website.

S3VT is an upgraded product using newer style molded IP66 connectors and improved, more flexible cabling.

- DM101 S3VT Valve Installation
- DM102 S3VT Operating Switch and Cable Installation
- DM103 S3VT Valve Configuration Guide
- DM104 S3VT 12V DC Wiring Diagram
- DM106 S3VT System Master Switch Installation
- DM107 S3VT Product and Mounting Space Dimensions

Help improve our documents

Please give your feedback

Toll Free 1 877 787 8833

email: admin@drainmaster.com



Questions?
Call 1 877 787 8833