

System Master Switch Installation

An Optional accessory to enable or disable the system; prevents inadvertent activation when the RV is in motion or during hose hookup or disconnect. Ensures valves 'home' to safe, closed position, at power up.

Doc DM93

Covers

- 5890-DM30-20Amp SW Direct Panel Mount Pgs 2, 3 & 4
- 5890-DM30-20Amp SW Dress Plate Mount Pg 5
- S2VT Companion Document information Pg 6

System Master Switch Installation

1. Direct Panel Mounting – Master switch 5890-DM30-20Amp SW

1.1 Fig. 1 – Panel Cutout

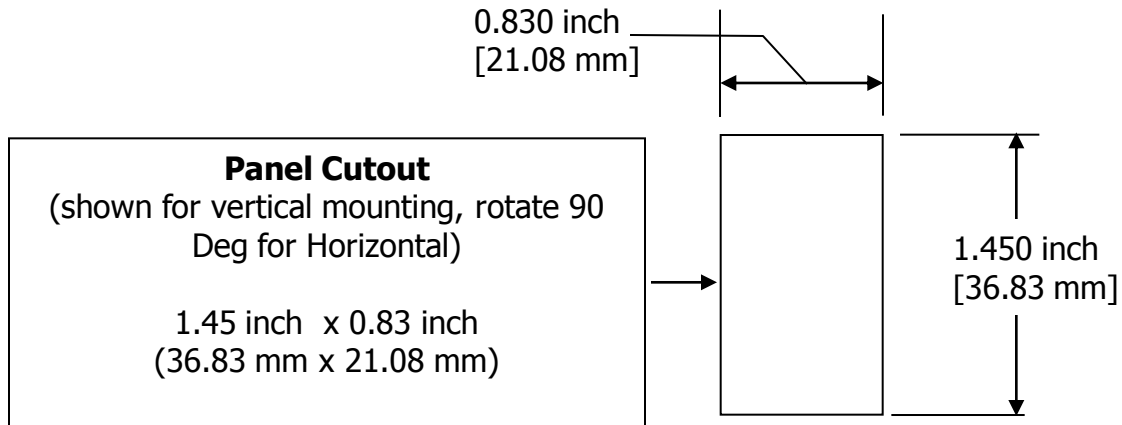


Fig 1.

1.2 Fig. 2 – Mounting panel thickness and rear clearance

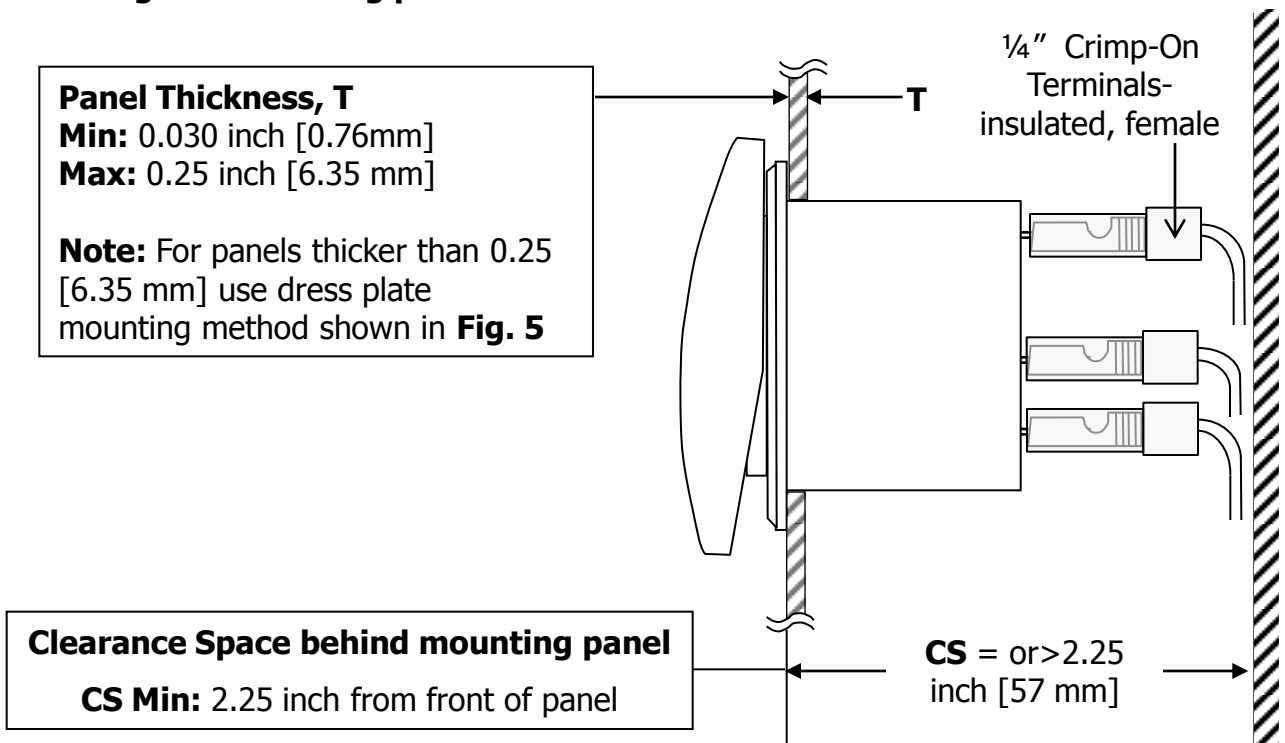


Fig 2.

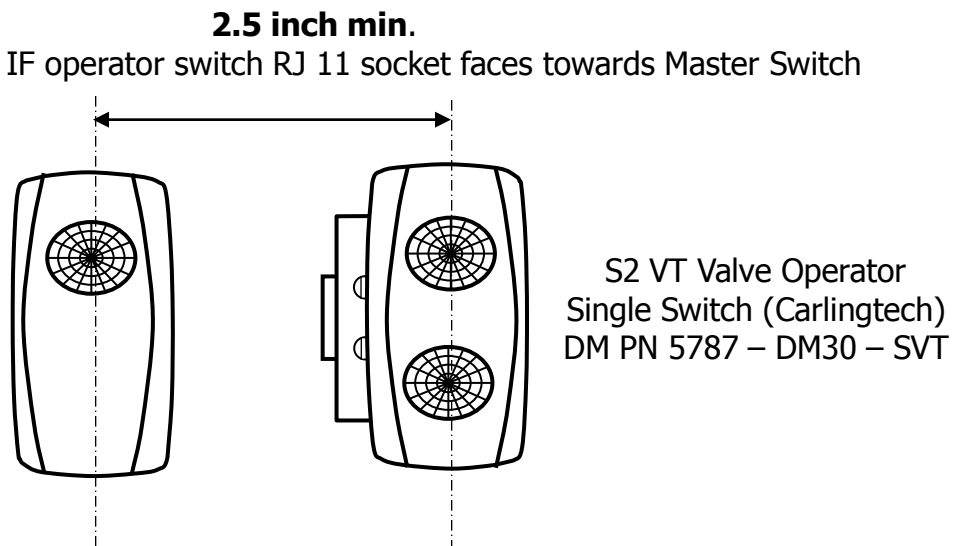
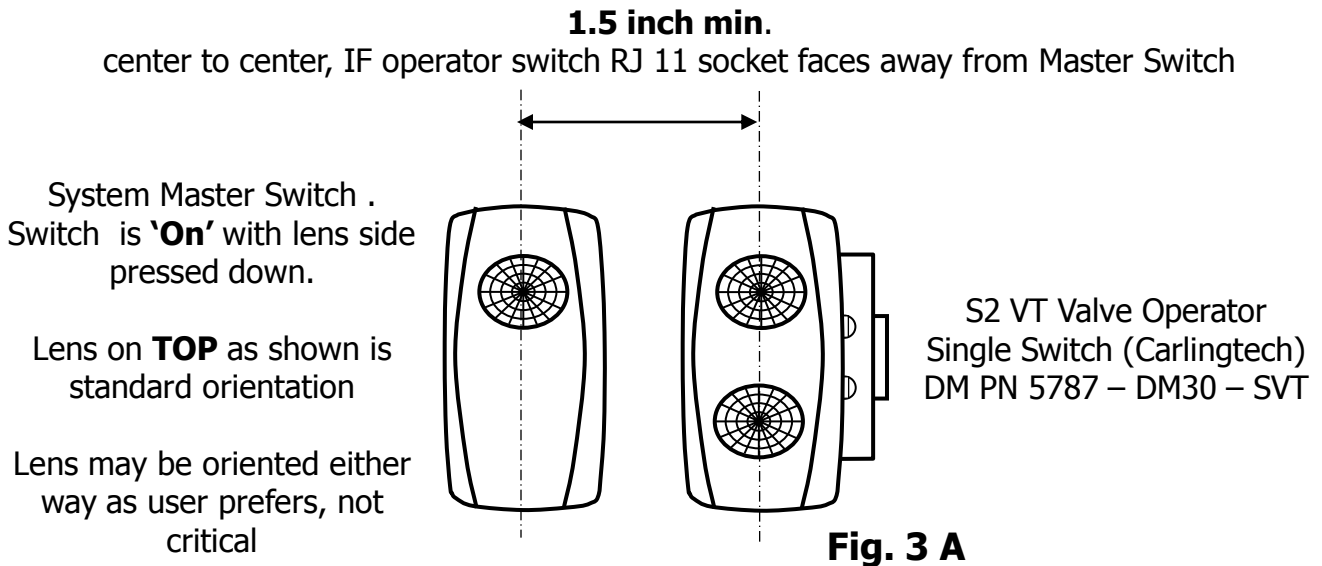
System Master Switch Installation

1.3 Master Switch to S2VT Operator Switch spacing using direct panel mounting, Vertical layout:

Fig. 3 A: Preferred practice - operator switch RJ 11 socket faces away from Master switch

Fig. 3 B: Use if for space reasons, operator switch RJ11 socket must face Master switch

Switches may be on either side of each other, left or right, doesn't matter.



Important: Strain relieve System switch and Operator Switch cables close to switch. Excess cable must be bundled and secured and not weigh down on connector or terminals

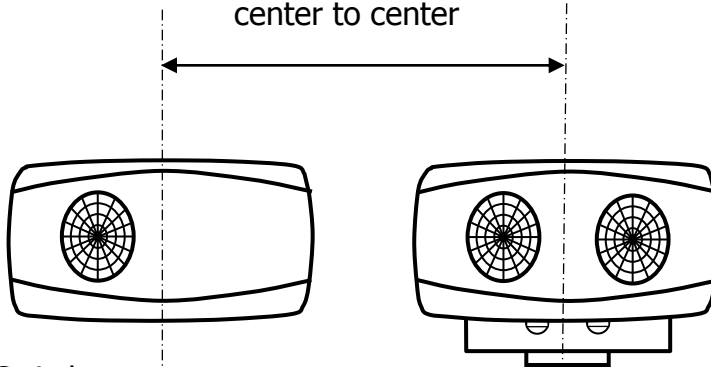
System Master Switch Installation

1.4 Master Switch to S2VT Operator Switch spacing using direct panel mounting, Horizontal layout:

Note: Fig. 3 A, B Vertical layout: Prevalent industry practice, preferred & recommended
Fig. 4 A or B: Use horizontal layout if space limitations prevent vertical mounting

Switches may be on either side of each other, left or right, doesn't matter.

2 ½ inch min.
center to center



System Master Switch

Fig. 4A

S2 VT Valve Operator
Single Switch
(Carlingtech)

Switch is 'On' with lens
side pressed.

DM PN 5787 – DM30
– SVT, RJ 11 socket
may face up or down,
not critical

May be oriented as user
prefers, not critical

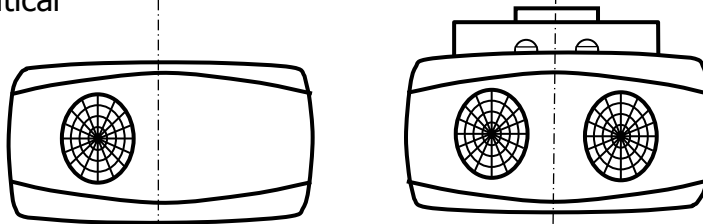


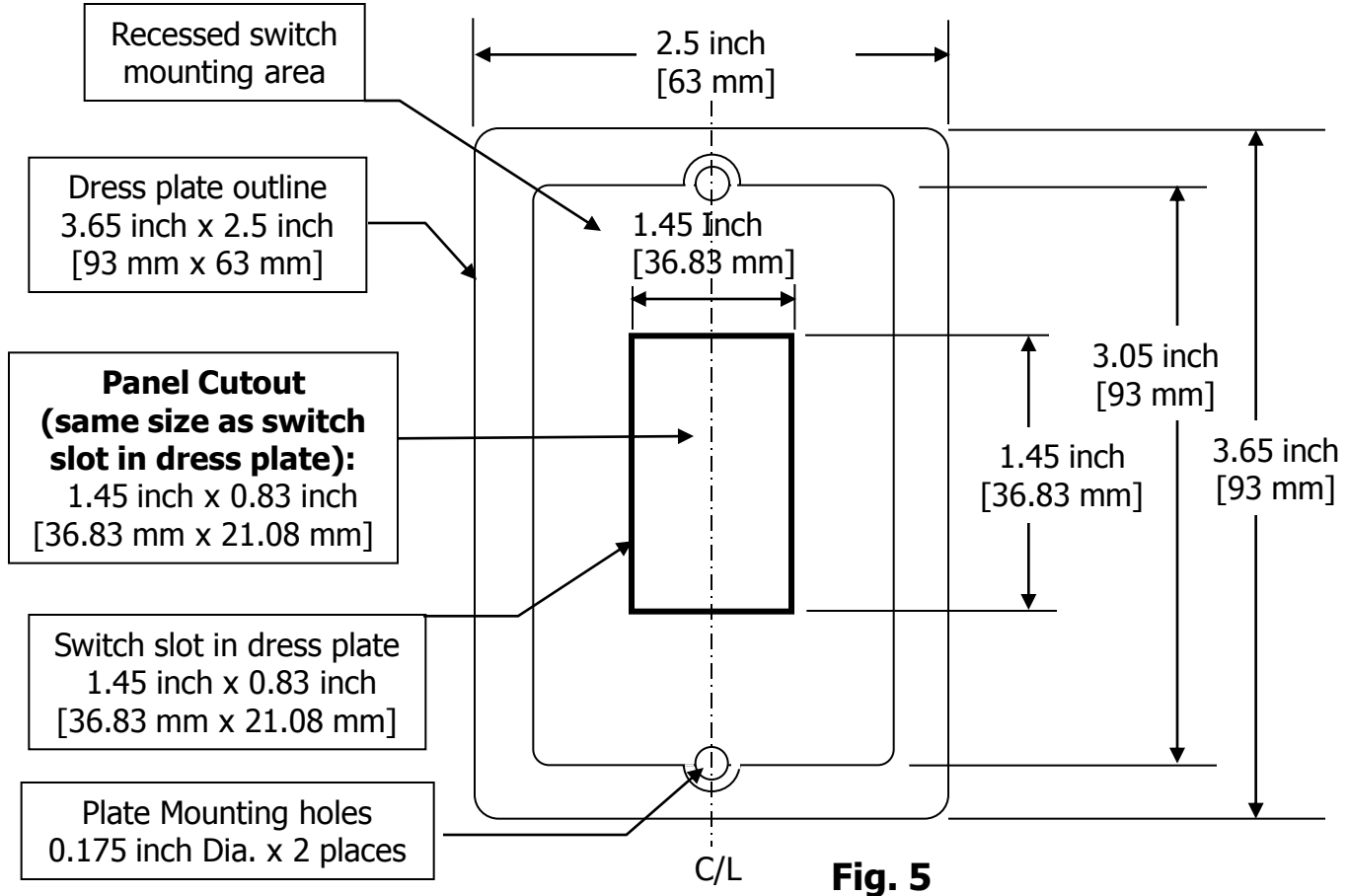
Fig. 4B

Important: Strain relieve all Switch and Interface cables close to switch.
Excess Cable must be bundled and secured and not weigh down on connector or terminals

System Master Switch Installation

2. 5890-DM30-20Amp SW Mounting using Dress Plate (Optional)

2.1 Fig. 5 – Panel cutout and dress plate dimensions:



Panel Thickness:

Min: Not specified – Panel thickness must adequately support dress plate
Max: 1 inch [25 mm]

2.2 Multi switch interspacing using dress plate:

Vertical mounting is prevalent industry practice - requires center to center > **2.5 inch**
Horizontal Mounting (use if space limitations restrict vertical mounting) requires center to center > **3.65 inch**

System Master Switch Installation

Download or view S2VT companion documents in PDF format from 'Product Manuals' at our website

- DM88 S2VT Install Instructions
- DM89 S2VT Switch and IP 66 Cable Installation
- DM90 S2VT Valve Configuration Guide
- DM91 S2VT Wiring Diagram

Help improve our documents

Please give your feedback

Toll free 1 877 787 8833
email: admin@drainmaster.com