

Doc WM81

Waste Master Enclosure and Mounting Bracket Kit installation instructions

for

✓ 5th Wheels



✓ Travel Trailers



✓ Toy Haulers



Doc WM81

Waste Master Enclosure and Mounting Bracket Kit installation instructions

CONTENTS...

Pre Install check	Pg 3
Attachment Method - View	Pg 4
Installation Steps	Pg 5
Mounting Diagram 1	Pg 6
Drop Height Diagram 2	Pg 7
Check List	Pg 8
Enclosure Dimensions	Pg 9

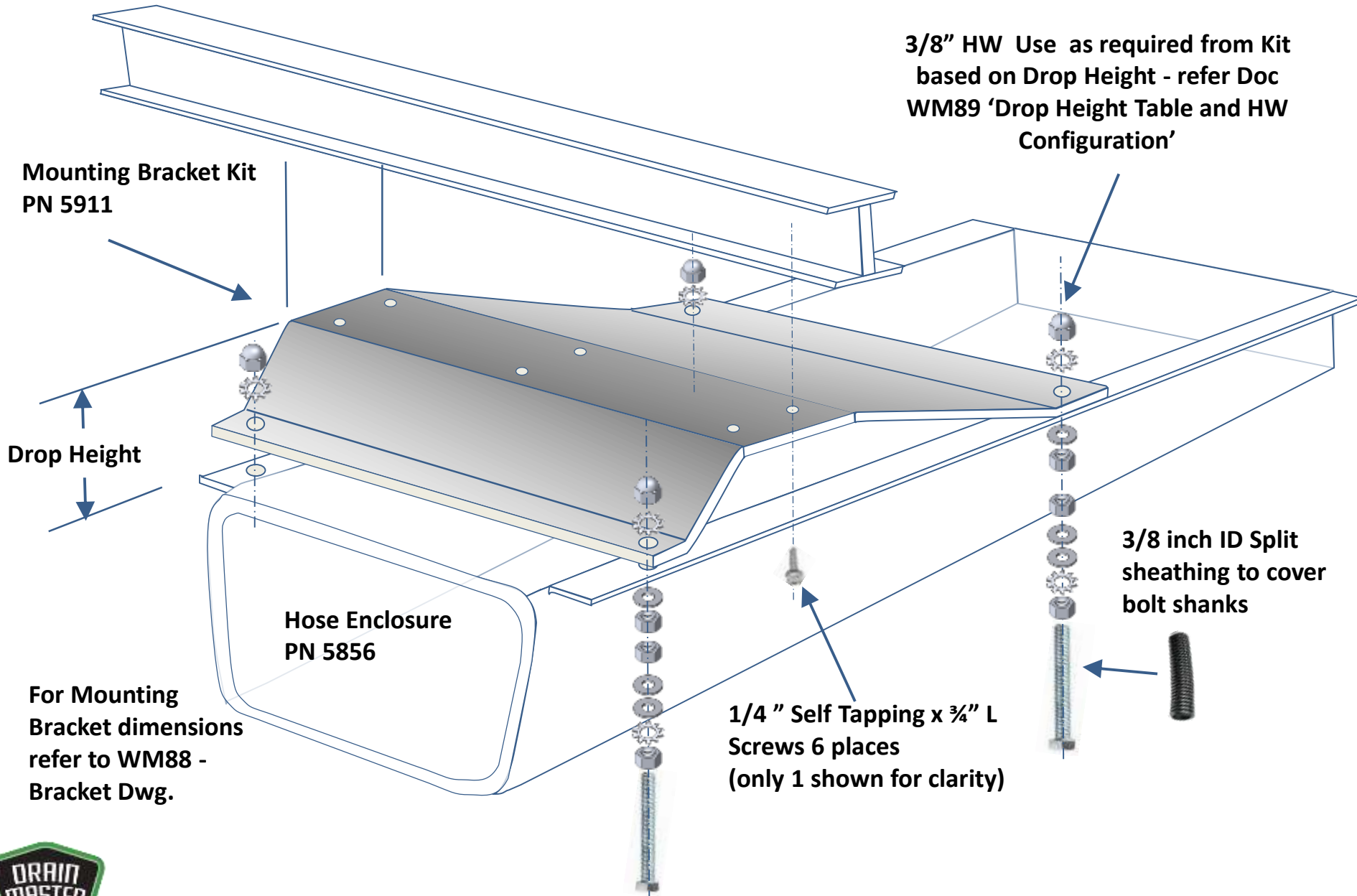


‘Waste Master Pre-Install Quick Check’ per Doc WM82 should be performed first to determine basic conditions are met for install readiness.

This document, WM81, provides detailed information to complete the installation. Before proceeding, verify your RV’s set up with Diagrams 1 and 2 (Pgs. 6 and 7) in hand and establish install parameters. These steps together with compliance to Pg.8 check list will ensure full confidence and successful system installation



Enclosure & Mounting Bracket Attachment Method - View



Installation Steps

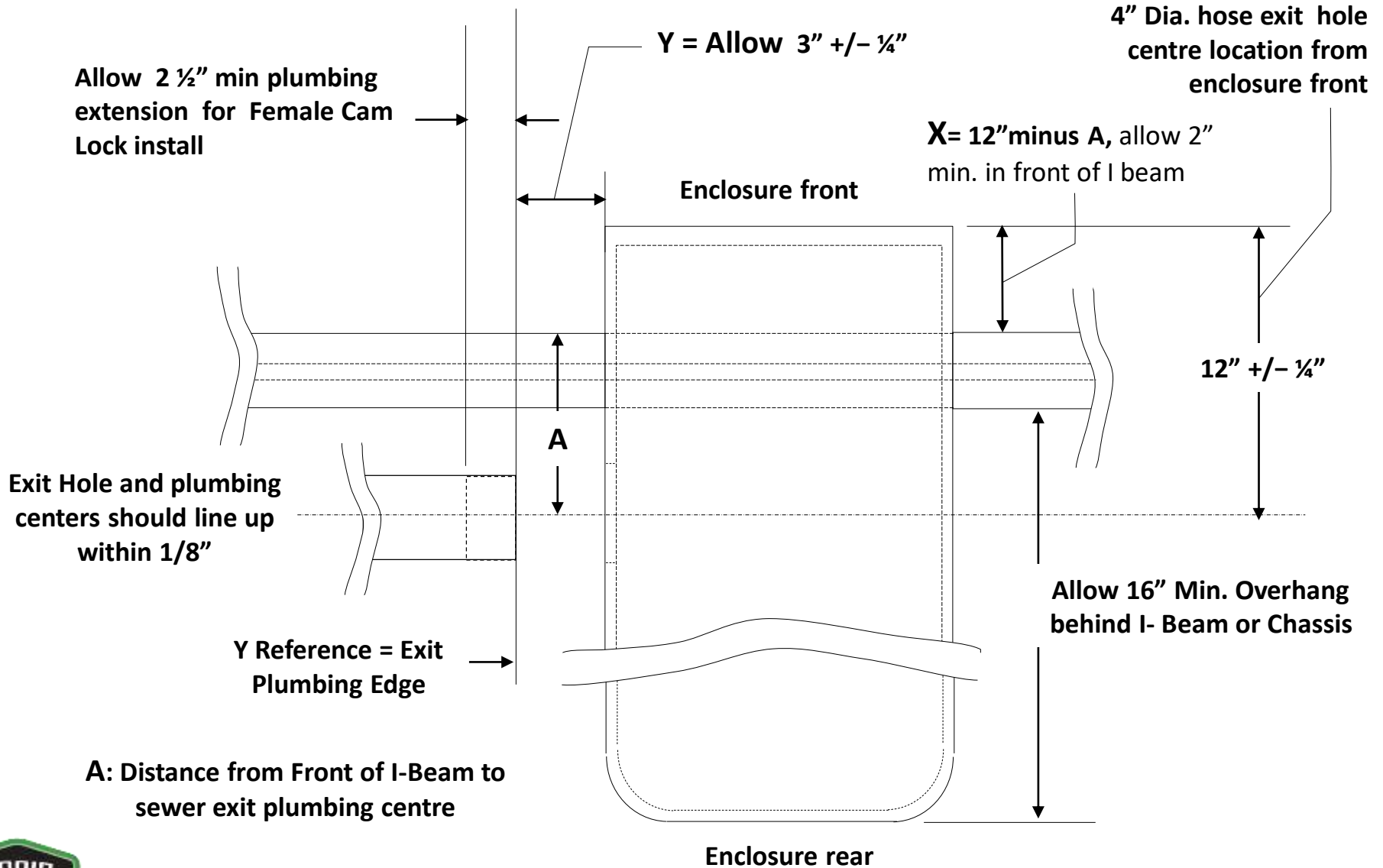
1. Complete Check list and modifications as required per Page 8 first to confirm install readiness

OPTIONAL : Steps 2 through 7 and Step 12 Applicable to 'Always Connected' Sewer Hose system

2. Determine mounting **X** and **Y** as Pre Diagram 1. Mark the hole centers in I-Beam and in Enclosure 'Wings'
3. Establish Drop Height as per Diagram 2. Doc WM89 provides Drop Height Table and HW Configuration. Bracket kit provides a Drop Height range from 1" to 4.5". For Drop Height > 4.5", longer bolts may be required. Buy or order from Drain Master.
4. If applicable, install Vent Assembly Kit with threaded Female Cam Lock fitting Per Doc. WM91
5. 4" Dia. hose exit hole must be precut in the enclosure; hole location as per Diagrams. 1 and 2.
6. Install included ¼ Inch ID split sheathing on the 4" Dia. hole wall edge for Hose protection.
7. Adjust the HW at step 10 to attain desired Drop height - plumbing center line & hole align within 1/8"
8. Mount Bracket with 6 x Self tapping ¼" screws (included); pre drill a 3/16" pilot hole to guide and ease self tapping screws. Use permanent strength thread locker Ex: Loctite Red 271. Torque till Bracket is firm – do not over torque or threads may strip. Typical torque 10 Ft-Lbs
9. Enclosure wings must have predrilled holes 7/16" dia. at the bolt mounting locations
10. Mount the enclosure to the bracket with 3/8 x 16 TPI HW at the appropriate height. Not all HW items may get used, this is OK – it depends on configuration.
11. Torque guidelines: 20 Ft-lbs HW to Mounting Bracket. Torque 10 Ft-Lbs HW to ABS enclosure 'wings' – it's a softer material; Use permanent strength thread locker Ex. Loctite Red 271
- 12. If applicable, Install Hose and test out system: Extend and retract as per Doc WM90 'WM User Manual'**
13. Cover the exposed bolt shanks with the 3/8 inch ID split sheathing provided



**OPTIONAL Diagram 1. Applicable to 'Always Connected' Sewer Hose system
Establishing Enclosure mounting position relative to plumbing and I-Beam (Top Down View)**



OPTIONAL Diagram 2. Applicable to 'Always Connected' Sewer Hose system Establishing Drop Height Relative to I-Beam and Plumbing Center (As Viewed from Enclosure front)

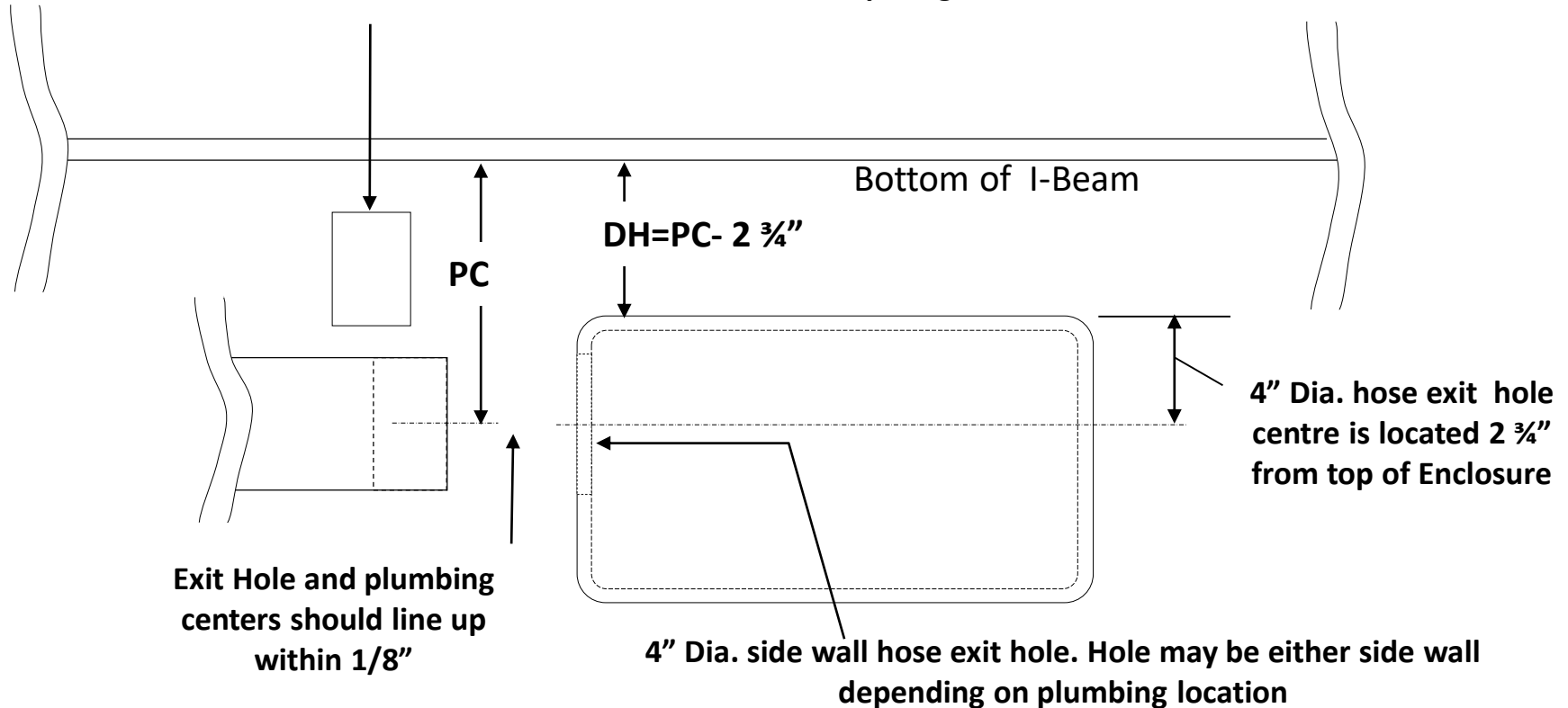
Direct mounting of Air Release Valve* to female Cam Loc fitting requires **5"** head room clearance.

If this space is not available use the 90 deg elbow and Vent Kit parts to relocate the Air Release Valve

PC: Distance from I-beam bottom to sewer exit plumbing center

DH: Drop Height is distance from Bottom of I-Beam to Top of enclosure = $PC - 2 \frac{3}{4}"$.

Drop Height must be at least 1" or more



*Not applicable to WM 5915 Kit

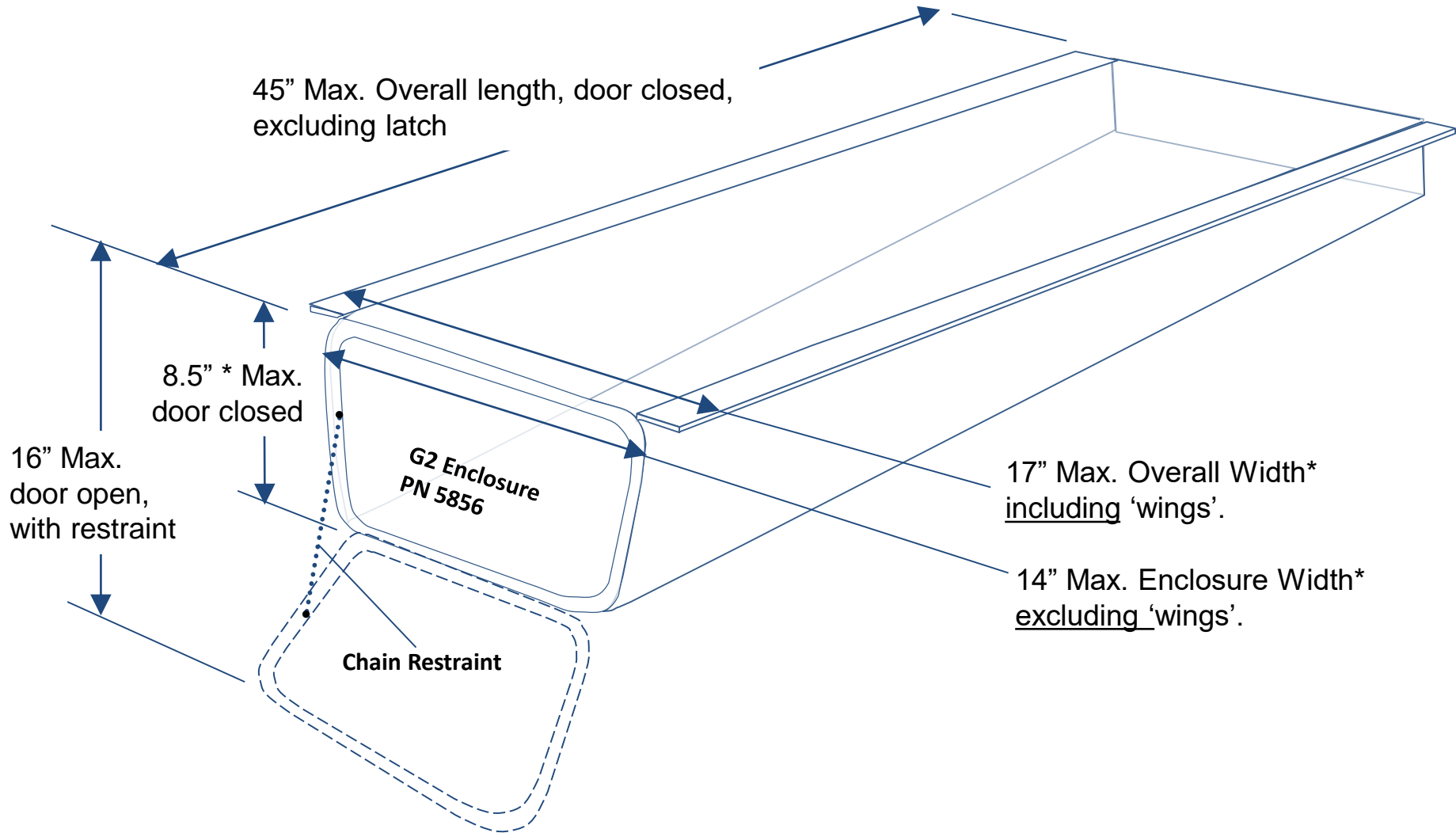


Installation Check List - Ref Diagrams. 1 and 2 (Pgs. 6 and 7)

	Item	Requirement	Verification	Option if NO
1	Bracket Mountability	I-Beam mounting area free of obstructions & Add-ons	<input type="checkbox"/> Yes <input type="checkbox"/> No	Remove obstructions if possible or re-locate enclosure
2	Bracket Clearance	Min 2" Clear all around from interference or obstructions	<input type="checkbox"/> Yes <input type="checkbox"/> No	Remove obstructions if possible or re-locate enclosure
3	Enclosure Door	Can Operate freely w/o interference with skirting	<input type="checkbox"/> Yes <input type="checkbox"/> No	Relocate enclosure
Additional Check List applicable to 'Always Connected' sewer hose system				
4	Plumbing and Hose exit hole line up.	Within 1/8" inch as per Diagrams 1 and 2	<input type="checkbox"/> Yes <input type="checkbox"/> No	Reroute or adjust plumbing and/or enclosure location
5	Y Dimension	Enclosure locatable to meet 3" +/- 1/4" per Diagram 1	<input type="checkbox"/> Yes <input type="checkbox"/> No	Reroute or adjust plumbing and/or enclosure location
6	X Dimension	2" Min. in front of I-Beam As per Diagram 1	<input type="checkbox"/> Yes <input type="checkbox"/> No	Re-plan enclosure position
7	DH: Drop Height	1" Min	<input type="checkbox"/> Yes <input type="checkbox"/> No	Increase DH by slightly lowering sewer plumbing outlet.
8	Enclosure Door	Can Operate freely w/o interference with skirting	<input type="checkbox"/> Yes <input type="checkbox"/> No	Relocate enclosure and / or reroute plumbing
9	Encl. Rear Over Hang	16" Min. behind I-Beam	<input type="checkbox"/> Yes <input type="checkbox"/> No	Relocate enclosure and reroute plumbing
10	Exit Plumbing Extension	Min 2.5" available as per Diagram 1.	<input type="checkbox"/> Yes <input type="checkbox"/> No	Add extension then re-check list Item 4
11	Air Valve routing kit parts clearance (not applicable to WM 5915 Kit)	Adequate head room above Exit Plumbing	<input type="checkbox"/> Yes <input type="checkbox"/> No	Create head room if possible or relocate ARV using alternative Vent kit parts



Enclosure Dimensions



**Note: Max. Width and Height at top and front of enclosure*



***Congratulations on successfully installing your
Waste Master Storage system! Now you can
enjoy the ultimate in convenience.***

Questions? Comments? Need Help?

Call Toll Free: 877-787-8833

