

Doc WM82

Waste Master Pre-Install Quick Check

✓ 5th Wheels



✓ Travel Trailers

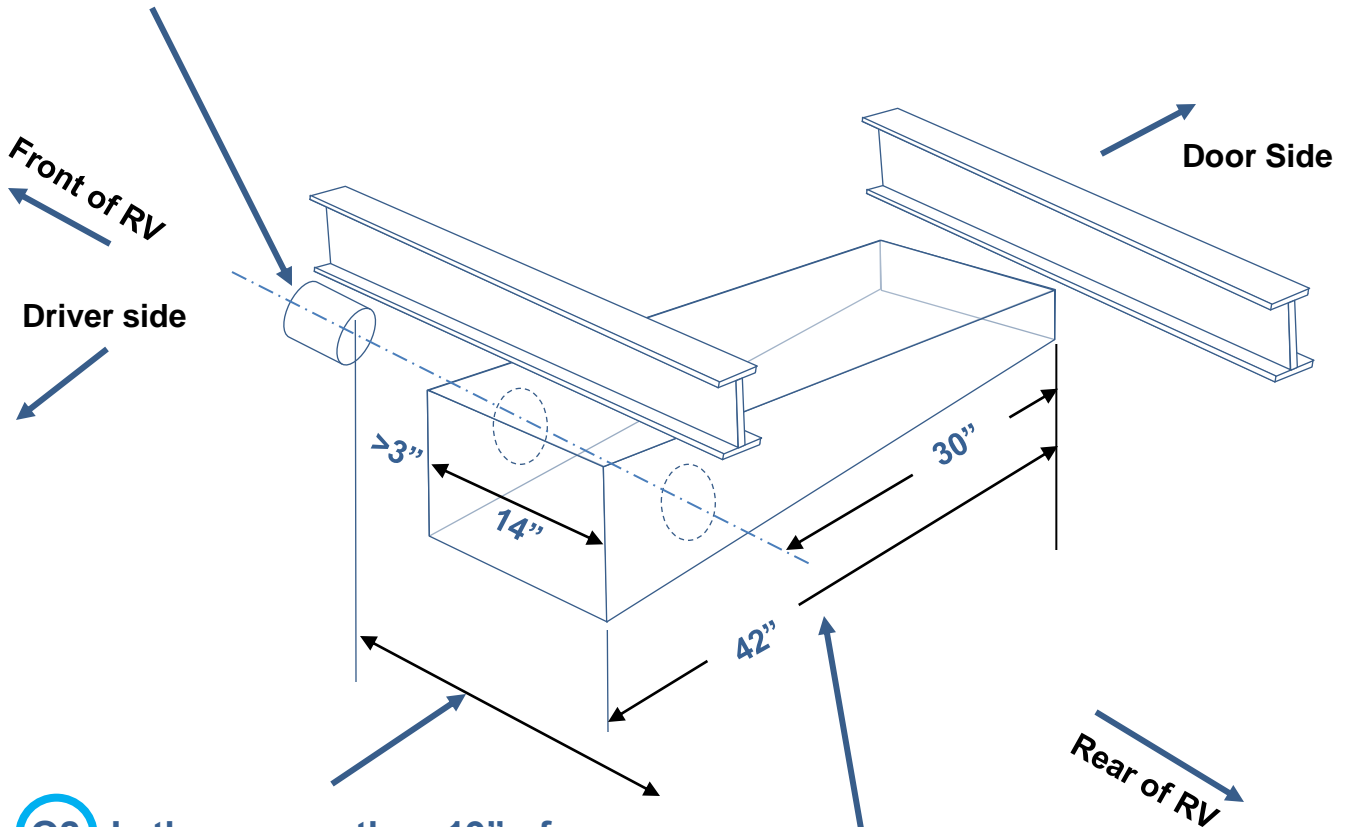


✓ Toy Haulers



Waste Master Permanently Connected Sewer System at a glance – 3 Simple observations to determine basic install readiness

Q1 Can the sewer termination outlet be modified to align with the enclosure hose exit hole? [termination may be on opposite side than shown, hose exit hole may be on either side of the enclosure]



Q2 Is there more than 19" of clear unobstructed space to accommodate the enclosure width?

Q3 Is there clear unobstructed space > 42" to accommodate the enclosure length?

IF the answers to these 3 questions are YES then then your RV is ready for Waste Master !

Here's an example that answers YES to all 3 Questions

BEFORE WM Install



A1 Yes, the sewer termination can be modified and aligned to the enclosure hose exit hole

A2 Yes, there is >19" of clear, unobstructed space from the sewer termination to accommodate the enclosure width

A3 Yes, there is >42" of clear, unobstructed space to accommodate the enclosure length

AFTER WM Install



Note: Pictures show Gen1 Enclosure and Bracket post-install for illustration purposes. This is our 1st fully operational system !

All new Gen 2 Enclosures shipping currently install using custom Mounting Bracket achieving same functionality AND with improved aesthetics, mounting ease and adjustment flexibility



Another example that answers YES to all 3 Questions

BEFORE WM Install



A1 Yes, the sewer termination can be modified and aligned to the enclosure hose exit hole

A2 Yes, there is >19" of clear, unobstructed space from the sewer termination to accommodate the enclosure width

A3 Yes, there is >42" of clear, unobstructed space to accommodate the enclosure length

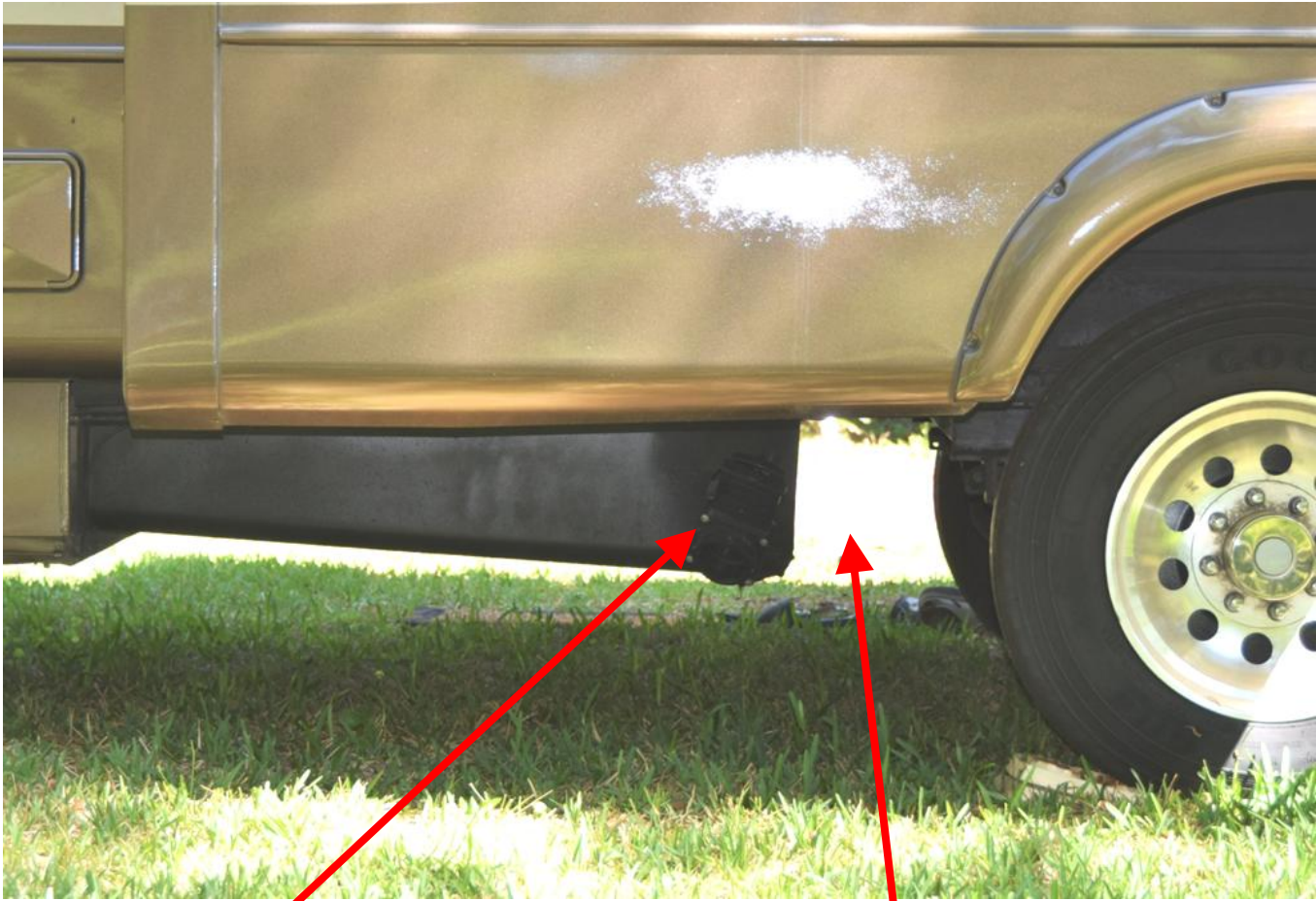
SIMULATED VISUALIZATION
***What the Enclosure and Mounting
Bracket might look like
AFTER WM INSTALL***



Exit plumbing modified and aligned to enclosure side entry hole. Note the drop height adjustment the bracket kit offers

* Vent not used in WM 5915 Kit

Here's an example of a problem candidate



1. Exit plumbing has unfavorable orientation

2. There is not enough clear, unobstructed space to accommodate the enclosure width

This requires a service specialist to determine if modifications are feasible to install Waste Master.

Call or preferably email us pictures of your RV configuration for advice