

Doc WM81

Waste Master Enclosure and Mounting Bracket Kit installation instructions

for

✓ 5th Wheels



✓ Travel Trailers



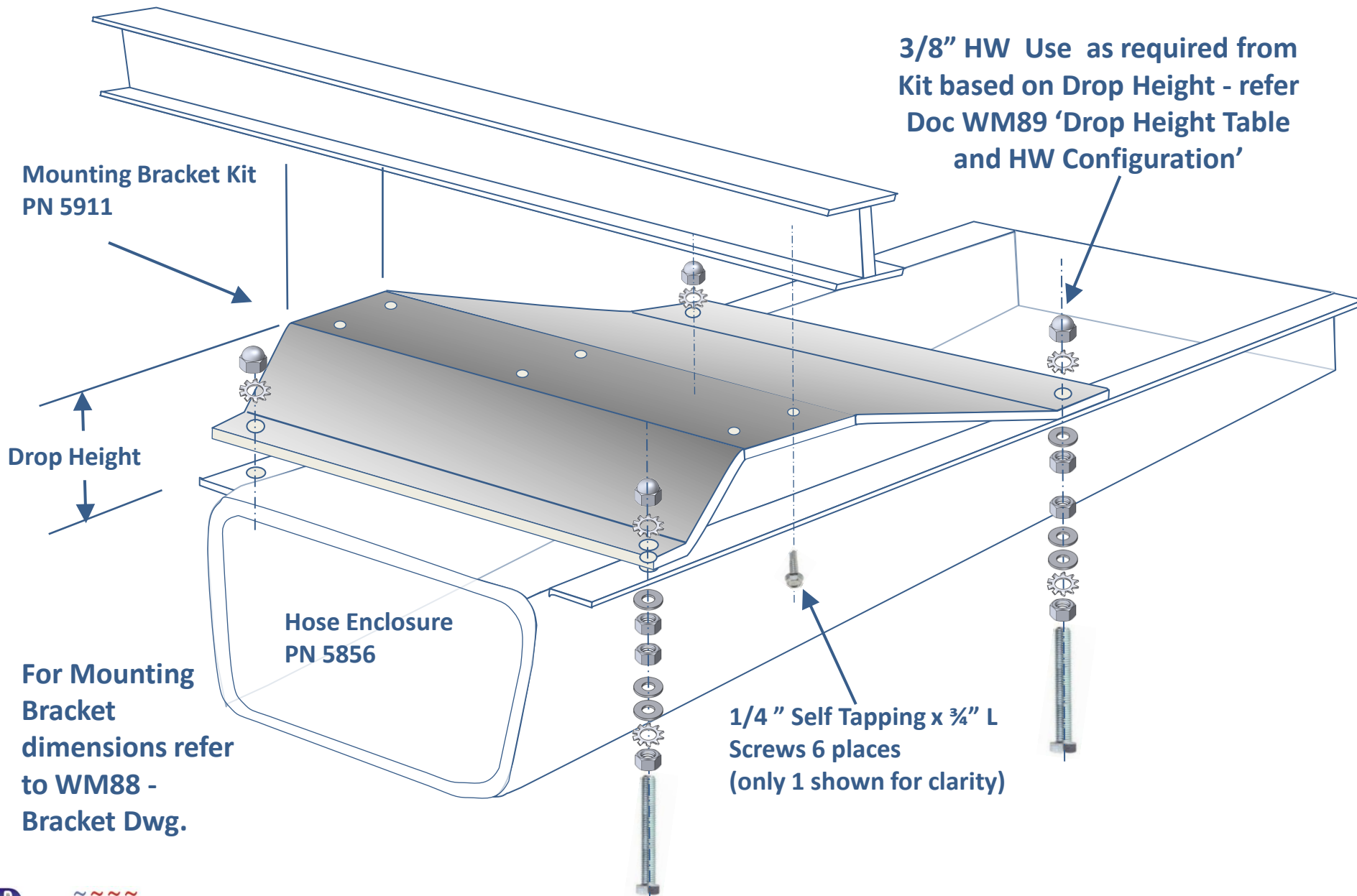
✓ Toy Haulers



‘Waste Master Pre-Install Quick Check’ per Doc WM82 should be performed first to determine basic conditions are met for install readiness.

This document, WM81, provides detailed information to complete the installation. Before proceeding, verify your RV’s set up with Diagrams 1 and 2 (Pgs. 5 and 6) in hand and establish install parameters. These steps together with compliance to Pg.7 check list will ensure full confidence and successful system installation

Enclosure & Mounting Bracket Attachment Method



Installation Steps

1. Complete Check list and modifications as required per Page 7 first to confirm install readiness
2. Determine mounting **X** and **Y** as Pre Diagram 1. Mark the hole centers in I-Beam and in Enclosure 'Wings'
3. Establish Drop Height as per Diagram 2. Doc WM89 provides Drop Height Table and HW Configuration. Bracket kit provides a Drop Height range from 1" to 4.5". For Drop Height > 4.5", longer bolts may be required. Buy or order from Drain Master.
4. If applicable, install Vent Assembly Kit with threaded Female Cam Lock fitting Per Doc. WM91
5. Mount Bracket with 6 x Self tapping ¼" screws (included); pre drill a 3/16" pilot hole to guide and ease self tapping screws. Use permanent strength thread locker Ex: Loctite Red 271. Torque till Bracket is firm – do not over torque or threads may strip. Typical torque 10 Ft-Lbs
6. 4" Dia. hose exit hole must be precut in the enclosure; hole location as per Diagrams. 1 and 2.
7. Enclosure wings must have predrilled holes 7/16" dia. at the bolt mounting locations
8. Mount the enclosure to the bracket with 3/8 x 16 TPI HW based on Drop Height configuration. Not all HW items may get used, this is OK – it depends on configuration.
9. Torque guidelines: 20 Ft-lbs HW to Mounting Bracket. Torque 10 Ft-Lbs HW to ABS enclosure 'wings' – it's a softer material; Use permanent strength thread locker Ex. Loctite Red 271
10. Adjust the HW to attain desired Drop height - plumbing center line & hole align within 1/8"
11. Install Hose and test out system: Extend and retract as per Doc WM90 'WM User Manual'

Diagram 1. – Establishing Enclosure mounting position relative to plumbing and I-Beam (Top Down View)

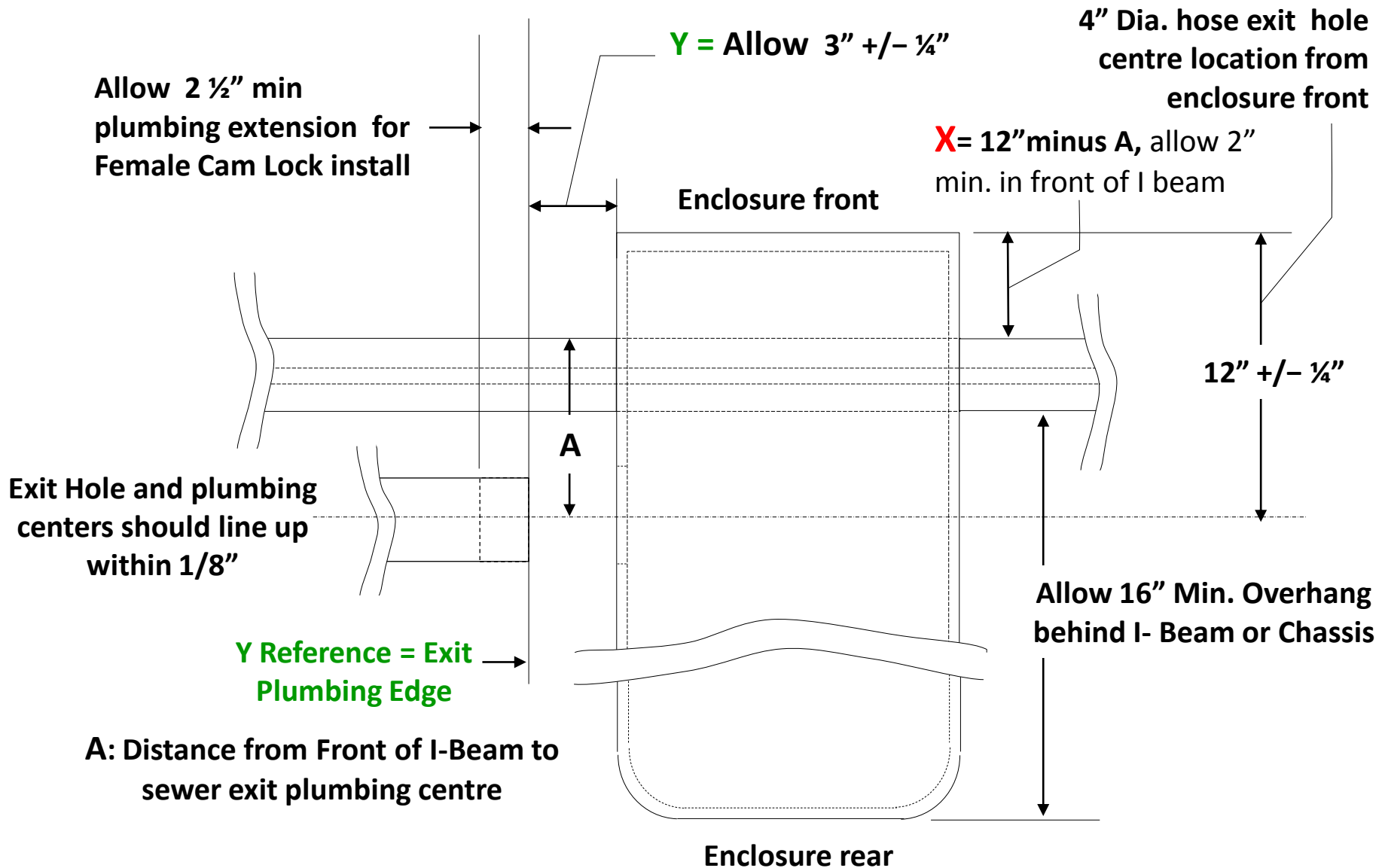
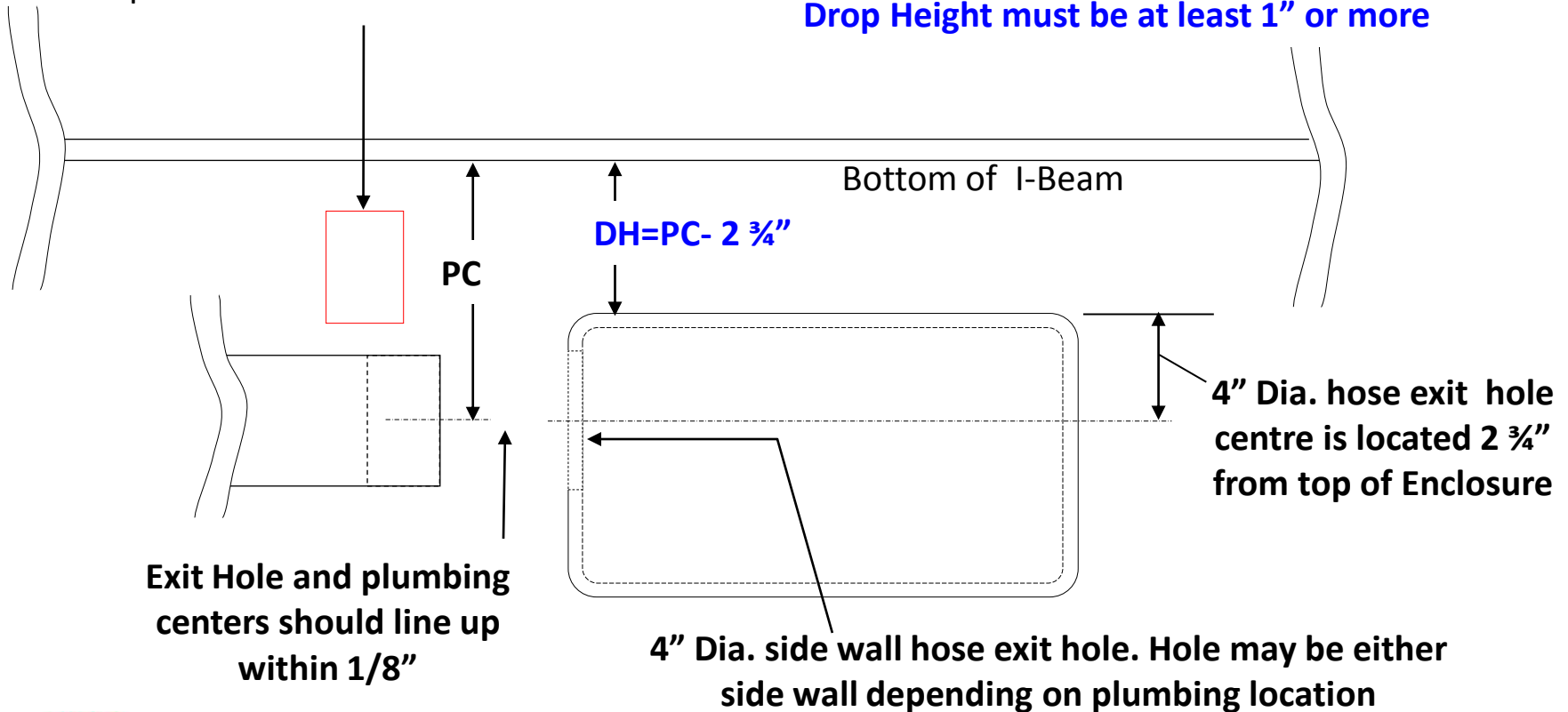


Diagram 2. – Establishing Drop Height Relative to I-Beam and Plumbing Center (As Viewed from Enclosure front)

Direct mounting of Air Release Valve* to female Cam Loc fitting requires 5" head room clearance. If this space is not available use the 90 deg elbow and Vent Kit parts to relocate the Air Release Valve

PC: Distance from I-beam bottom to sewer exit plumbing center

DH: Drop Height is distance from Bottom of I-Beam to Top of enclosure = $PC - 2 \frac{3}{4}$ ". Drop Height must be at least 1" or more



Exit Hole and plumbing centers should line up within 1/8"

4" Dia. side wall hose exit hole. Hole may be either side wall depending on plumbing location

*Not applicable to WM 5915 Kit

Installation Check List - Ref Diagrams. 1 and 2 (Pgs 5 and 6)

	Item	Requirement	Verification	Option if NO
1	Bracket Mountability	I-Beam mounting area free of obstructions & Add-ons	<input type="checkbox"/> Yes <input type="checkbox"/> No	Remove obstructions if possible or re- locate enclosure
2	Bracket Clearance	Min 2" Clear all around from interference or obstructions	<input type="checkbox"/> Yes <input type="checkbox"/> No	Remove obstructions if possible or re- locate enclosure
3	Plumbing and Hose exit hole line up.	Within 1/8" inch as per Diagrams 1 and 2	<input type="checkbox"/> Yes <input type="checkbox"/> No	Reroute or adjust plumbing and/or enclosure location
4	Y Dimension	Enclosure locatable to meet 3" +/- 1/4" per Diagram 1	<input type="checkbox"/> Yes <input type="checkbox"/> No	Reroute or adjust plumbing and/or enclosure location
5	X Dimension	2" Min. in front of I-Beam As per Diagram 1	<input type="checkbox"/> Yes <input type="checkbox"/> No	Re-plan enclosure position
6	DH: Drop Height	1" Min	<input type="checkbox"/> Yes <input type="checkbox"/> No	Increase DH by slightly lowering sewer plumbing outlet.
7	Enclosure Door	Can Operate freely w/o interference with skirting	<input type="checkbox"/> Yes <input type="checkbox"/> No	Relocate enclosure and reroute plumbing
8	Encl. Rear Over Hang	16" Min. behind I-Beam	<input type="checkbox"/> Yes <input type="checkbox"/> No	Relocate enclosure and reroute plumbing
9	Exit Plumbing Extension	Min 2.5 "available as per Diagram 1.	<input type="checkbox"/> Yes <input type="checkbox"/> No	Add extension then re-check list Item 4
10	Air Valve Clearance (not applicable to WM 5915 Kit)	5" min head room above Exit Plumbing	<input type="checkbox"/> Yes <input type="checkbox"/> No	Create head room if possible or relocate ARV using Vent kit parts

Congratulations on successfully installing your Waste Master permanently connected hose system! Now you can enjoy the ultimate in convenience.

Questions? Comments? Need Help?

Call Toll Free: 877-787-8833